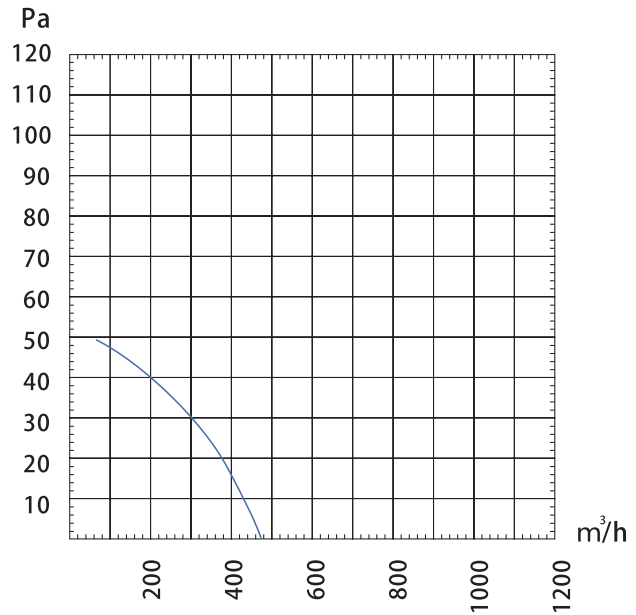


AXW 200



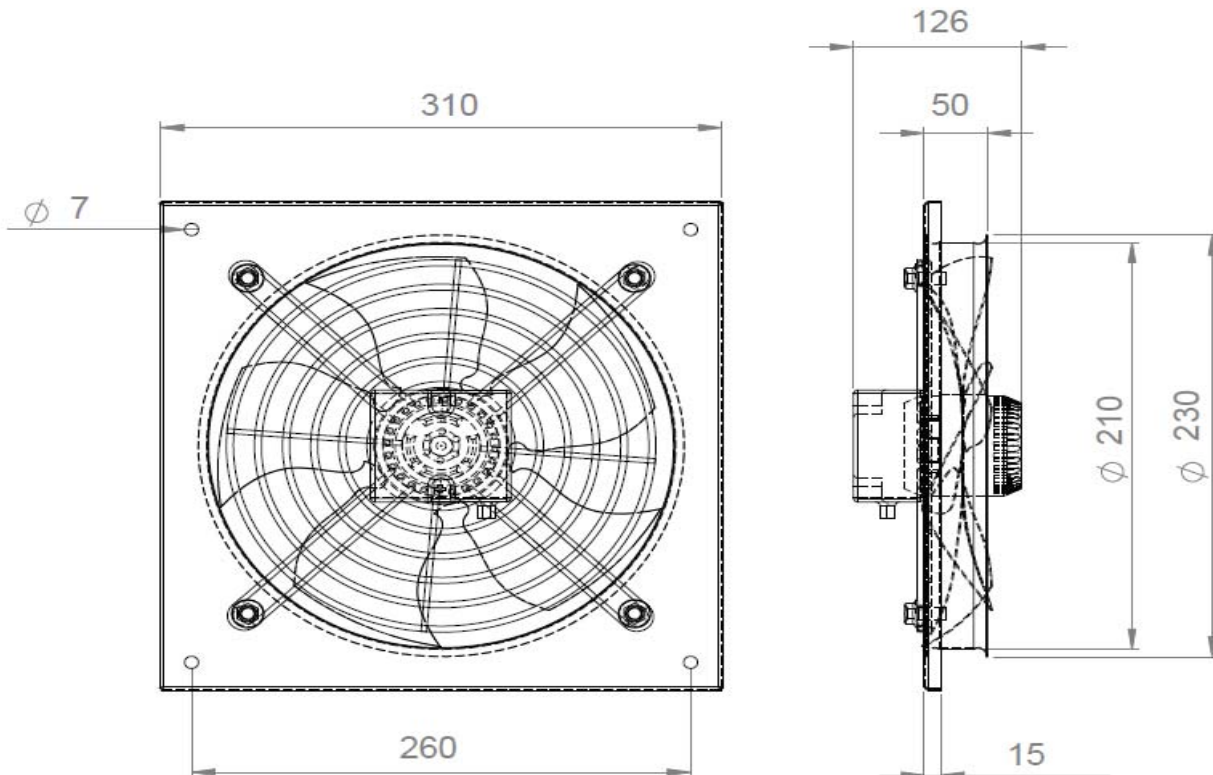
Axial wall mounted fan direct driven Plate mounted casing, galvanized steel epoxy painted
C/W external rotor motors IP 54 Class "F"



Technical Data

Model	voltage V	Frequency HZ	Current	Input Power W	Speed RPM	Capacitor	Net weight kg	Nois dB(A)	Max Airflow m3/h	Curev
AXW 4S-200	220	50	0.12	27	1400	/	3.0	43	425	■

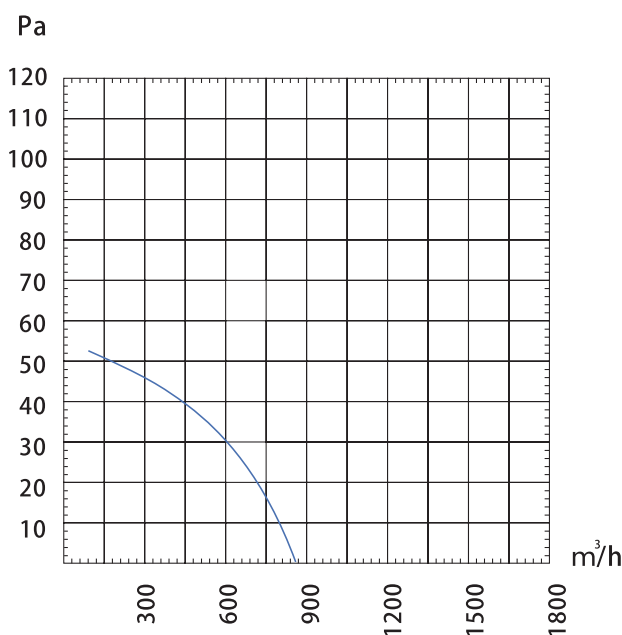
Dimensions



AXW 250



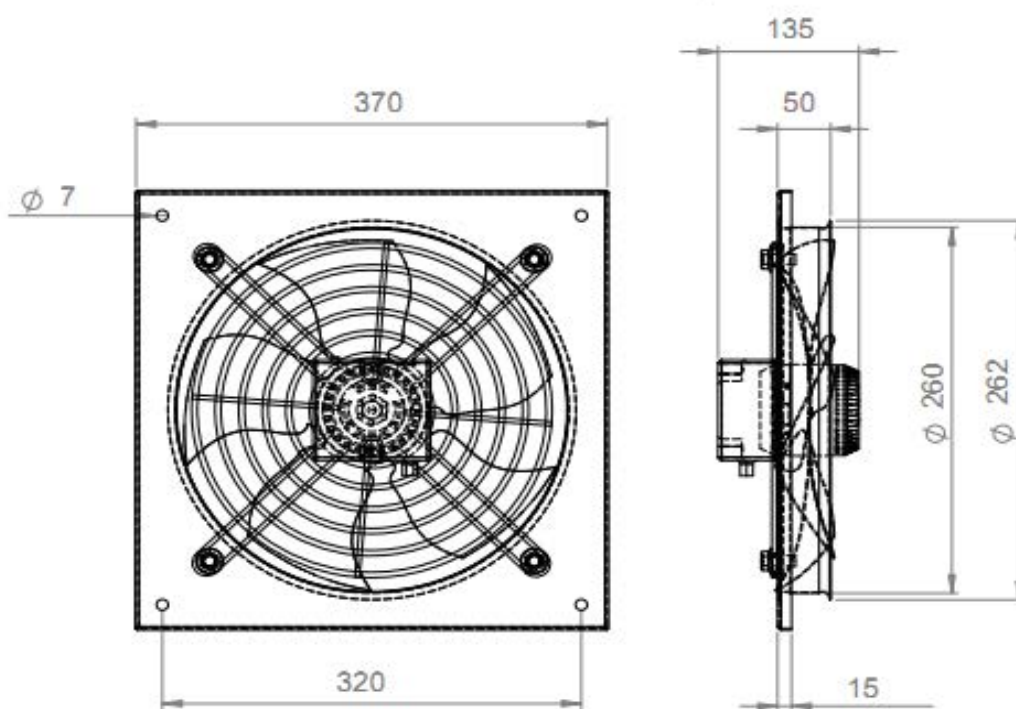
Axial wall mounted fan direct driven Plate mounted casing, galvanized steel epoxy painted C/W external rotor motors IP 54 Class "F"



Technical Data

Model	voltage V	Frequency HZ	Current	Input Power W	Speed RPM	Capacitor	Net weight kg	Nois dB(A)	Max Airflow m3/h	Curev
AXW 4S-250	220	50	0.25	55	1400	/	4.0	53	860	■

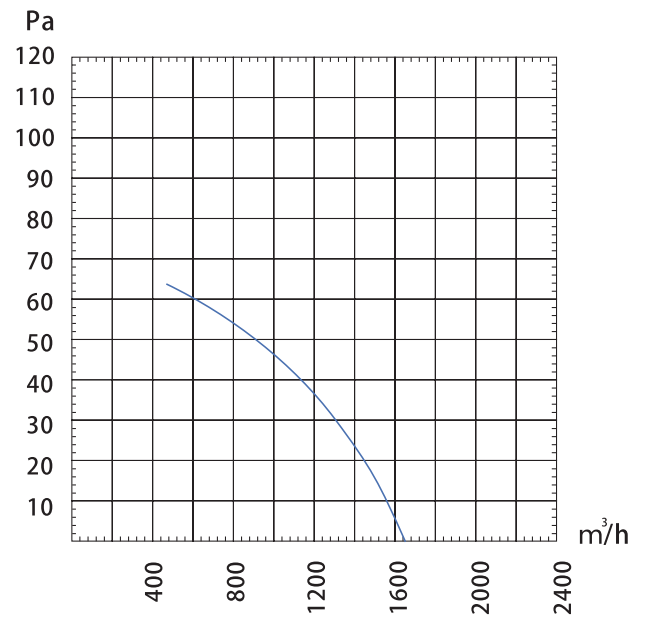
Dimensions



AXW 300



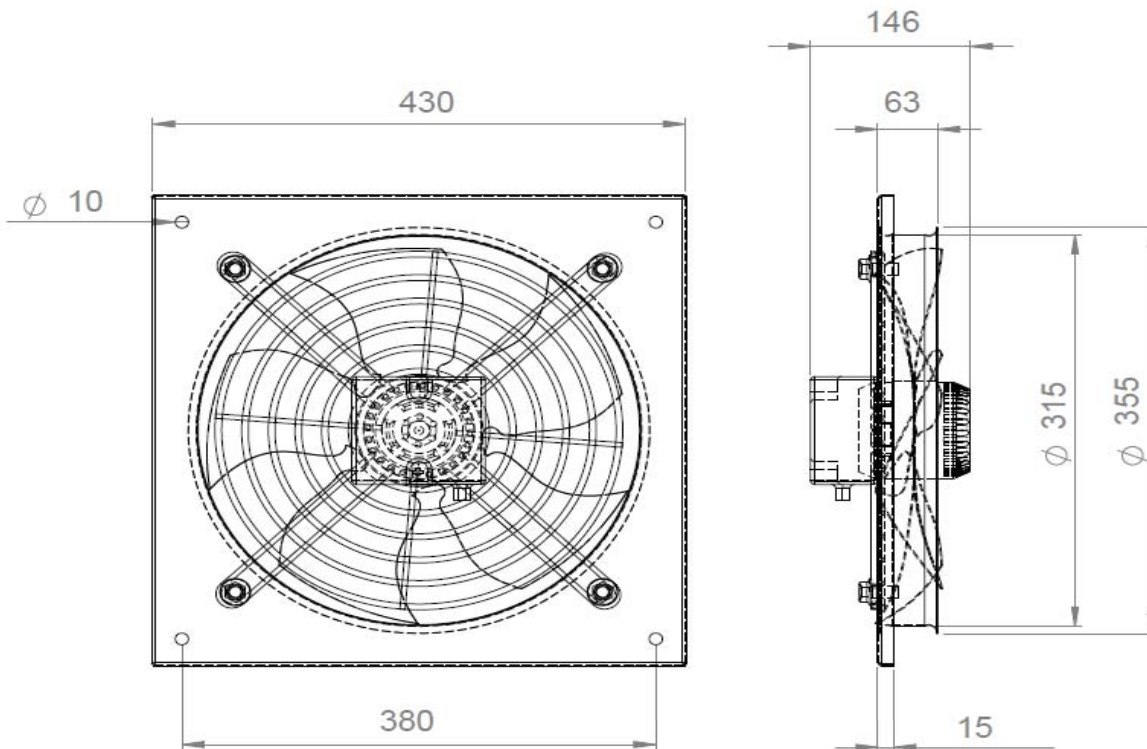
Axial wall mounted fan direct driven Plate mounted casing, galvanized steel epoxy painted
C/W external rotor motors IP 54 Class "F"



Technical Data

Model	voltage V	Frequency HZ	Current	Input Power W	Speed RPM	Capacitor	Net weight kg	Nois dB(A)	Max Airflow m ³ /h	Curev
AXW 4S-300	220	50	0.42	90	1350	/	5.0	54	1650	■

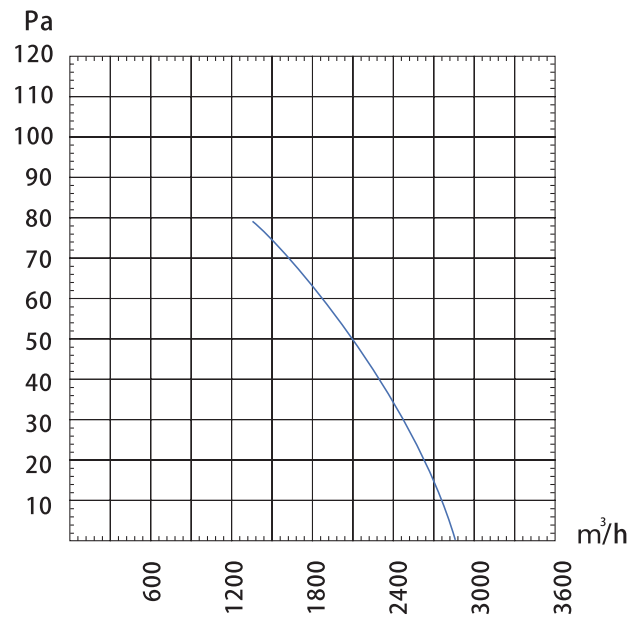
Dimensions



AXW 350



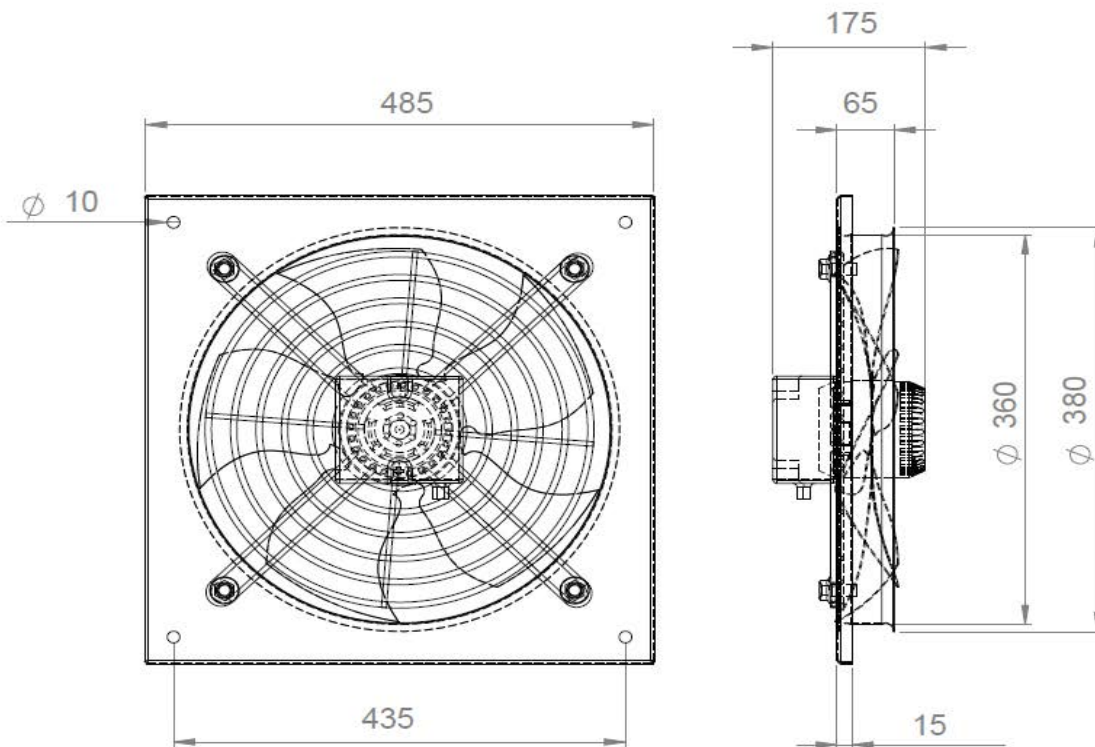
Axial wall mounted fan direct driven Plate mounted casing, galvanized steel epoxy painted C/W external rotor motors IP 54 Class "F"



Technical Data

Model	voltage V	Frequency HZ	Current	Input Power W	Speed RPM	Capacitor	Net weight kg	Nois dB(A)	Max Airflow m3/h	Curev
AXW 4S-350	220	50	0.60	135	1380	/	6.5	58	2670	

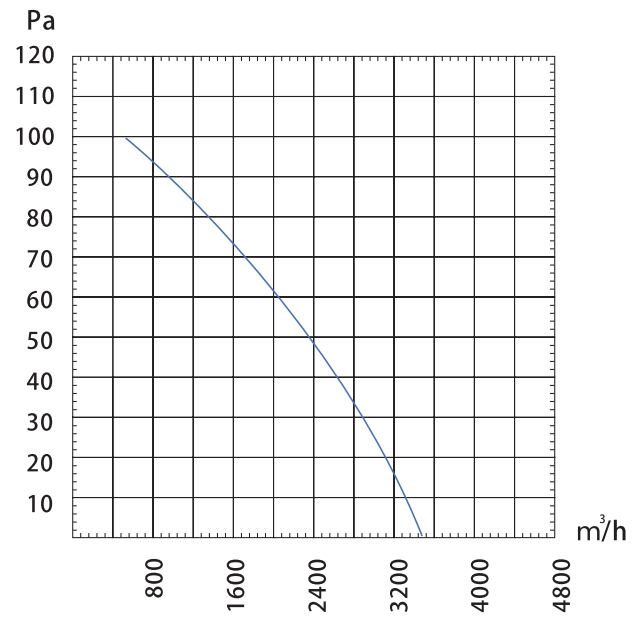
Dimensions



AXW 400



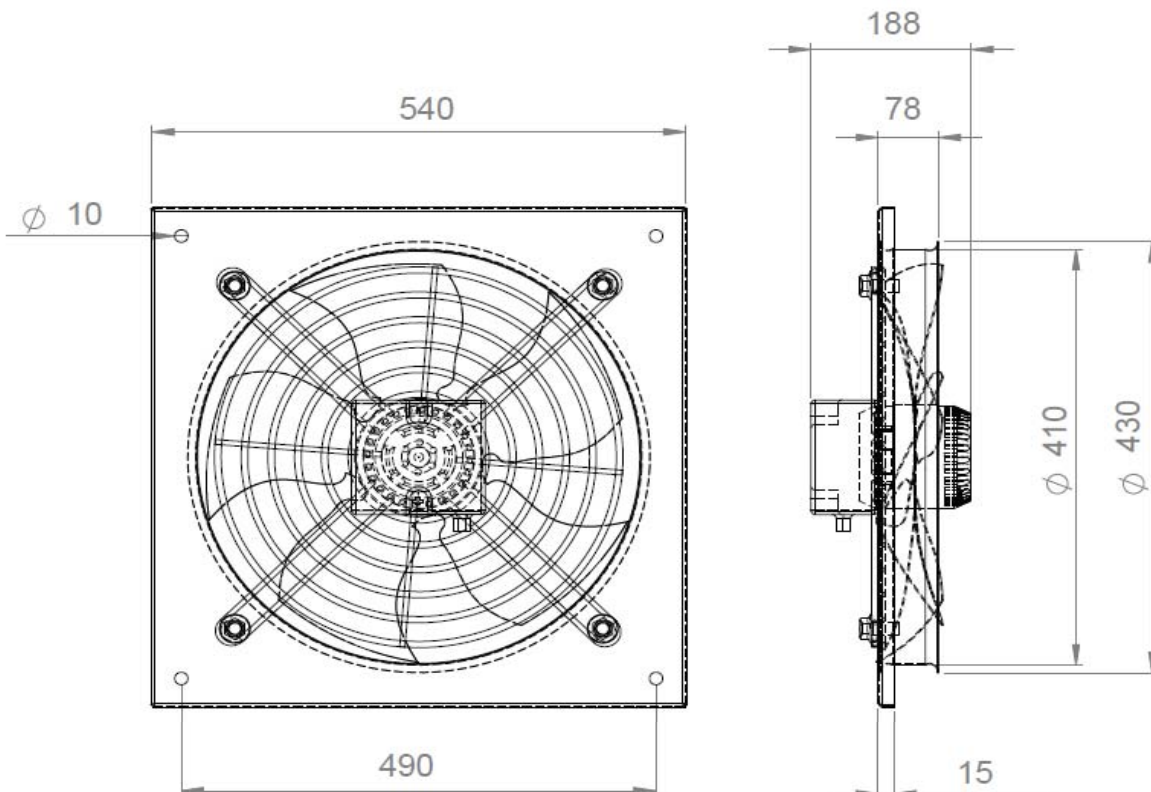
Axial wall mounted fan direct driven Plate mounted casing, galvanized steel epoxy painted
C/W external rotor motors IP 54 Class "F"



Technical Data

Model	voltage V	Frequency HZ	Current	Input Power W	Speed RPM	Capacitor	Net weight kg	Nois dB(A)	Max Airflow m3/h	Curev
AXW 4S-400	220	50	0.90	190	1350	/	8.5	63	3500	■

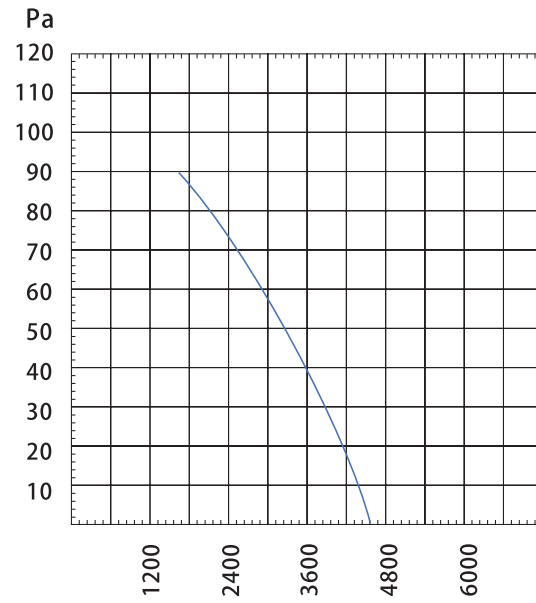
Dimensions



AXW 450



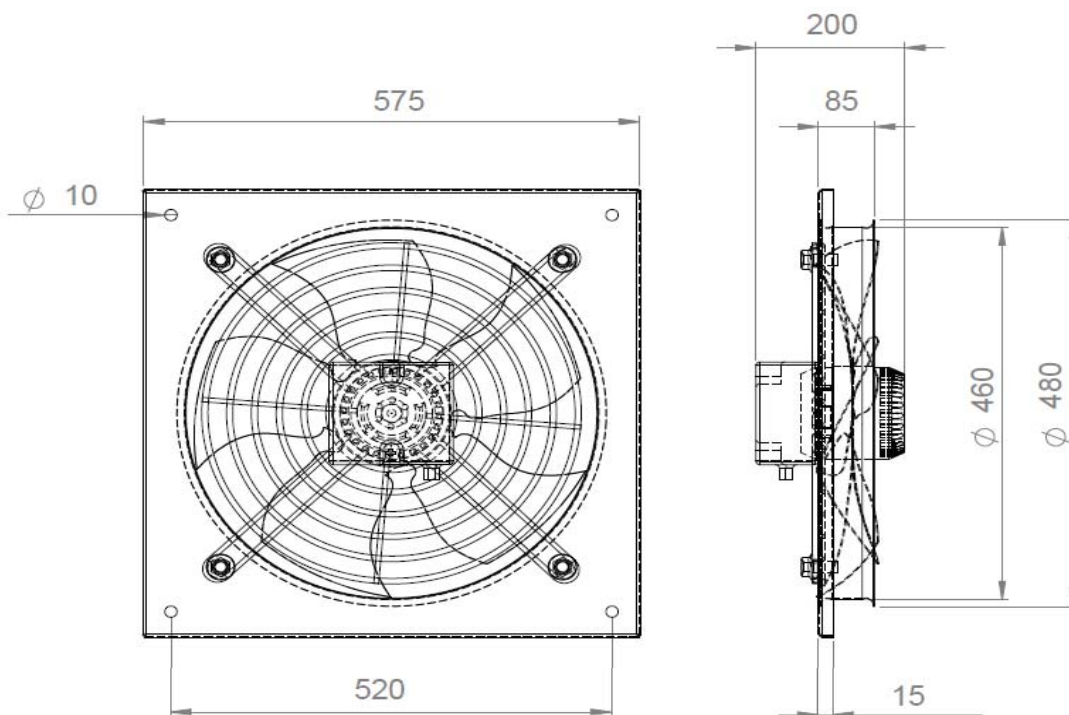
Axial wall mounted fan direct driven Plate mounted casing, galvanized steel epoxy painted C/W external rotor motors IP 54 Class "F"



Technical Data

Model	voltage V	Frequency HZ	Current	Input Power W	Speed RPM	Capacitor	Net weight kg	Nois dB(A)	Max Airflow m3/h
AXW 4T-450	380	50	0.64	250	1380	/	9.5	60	4500

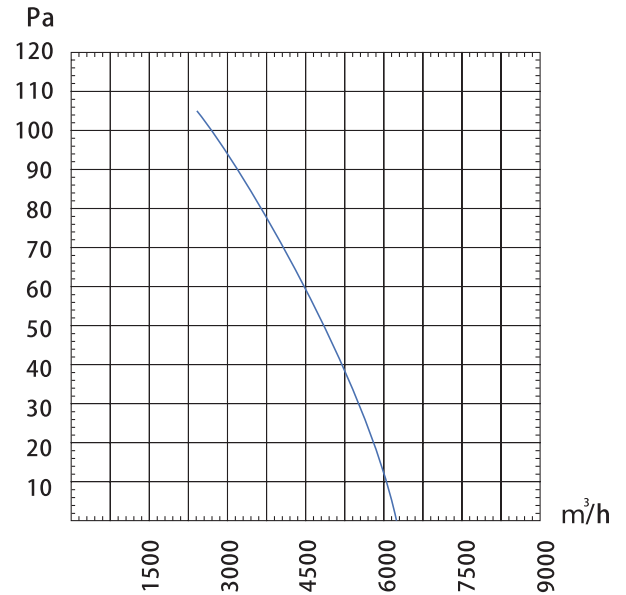
Dimensions



AXW 500



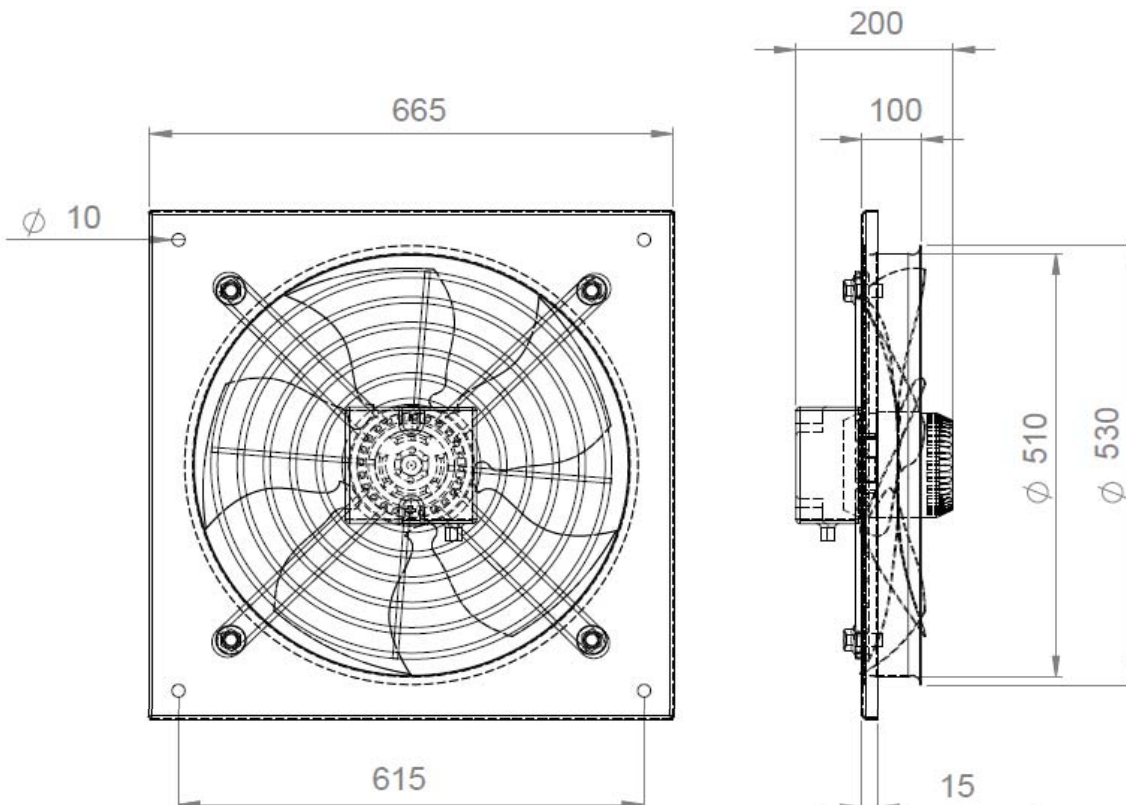
Axial wall mounted fan direct driven Plate mounted casing, galvanized steel epoxy painted
C/W external rotor motors IP 54 Class "F"



Technical Data

Model	voltage V	Frequency HZ	Current	Input Power W	Speed RPM	Capacitor	Net weight kg	Nois dB(A)	Max Airflow m3/h	Curev
AXW 4T-500	380	50	0.95	420	1350	/	14.5	69	6250	■

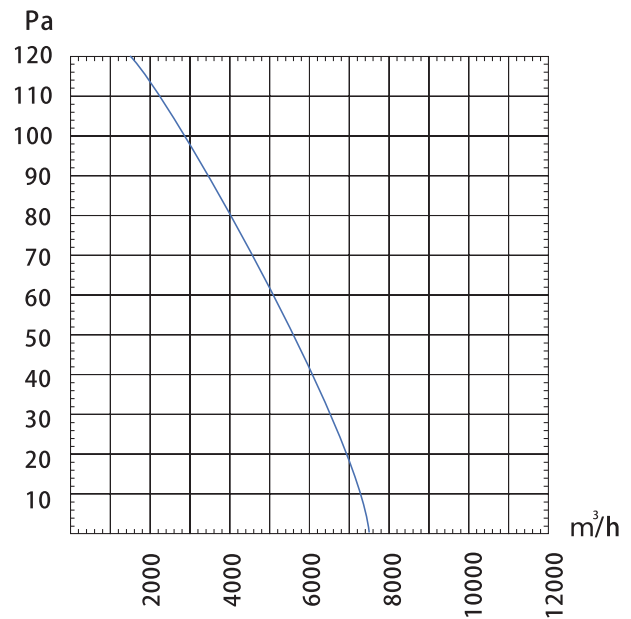
Dimensions



AXW 550



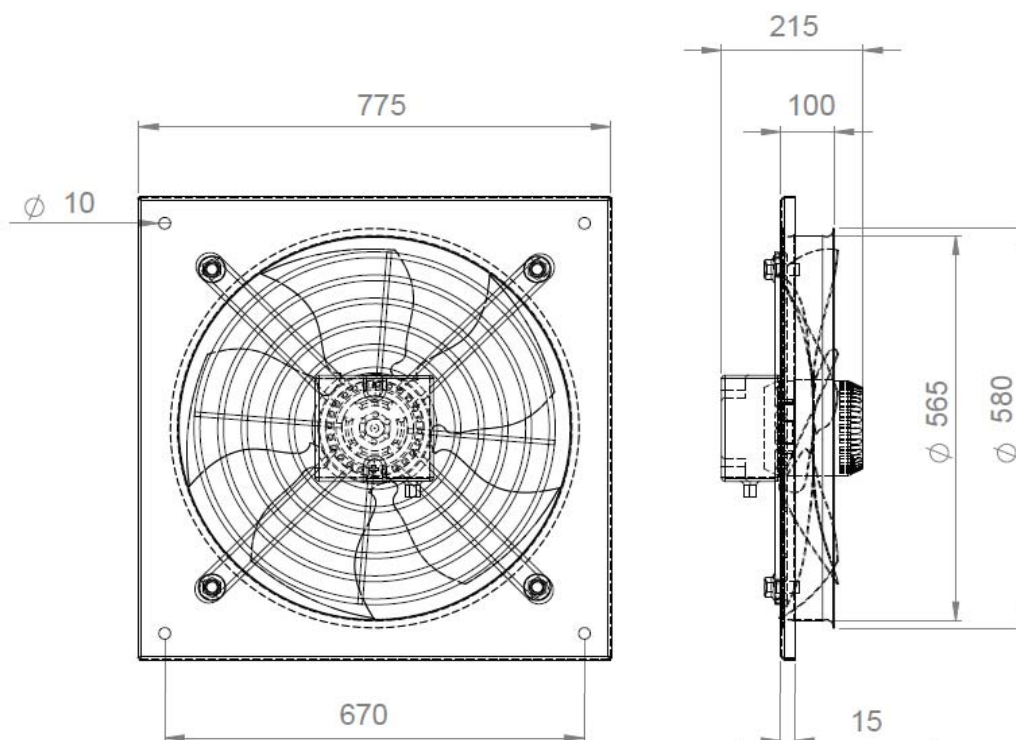
Axial wall mounted fan direct driven Plate mounted casing, galvanized steel epoxy painted C/W external rotor motors IP 54 Class "F"



Technical Data

Model	voltage V	Frequency HZ	Current	Input Power W	Speed RPM	Capacitor	Net weight kg	Nois dB(A)	Max Airflow m3/h	Curev
AXW 4T-550	380	50	1.10	550	1330	/	16.5	73	7500	

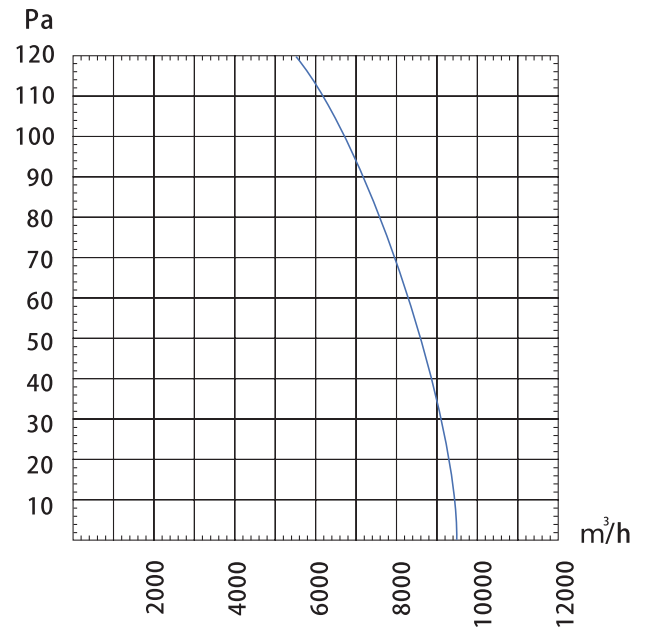
Dimensions



AXW630



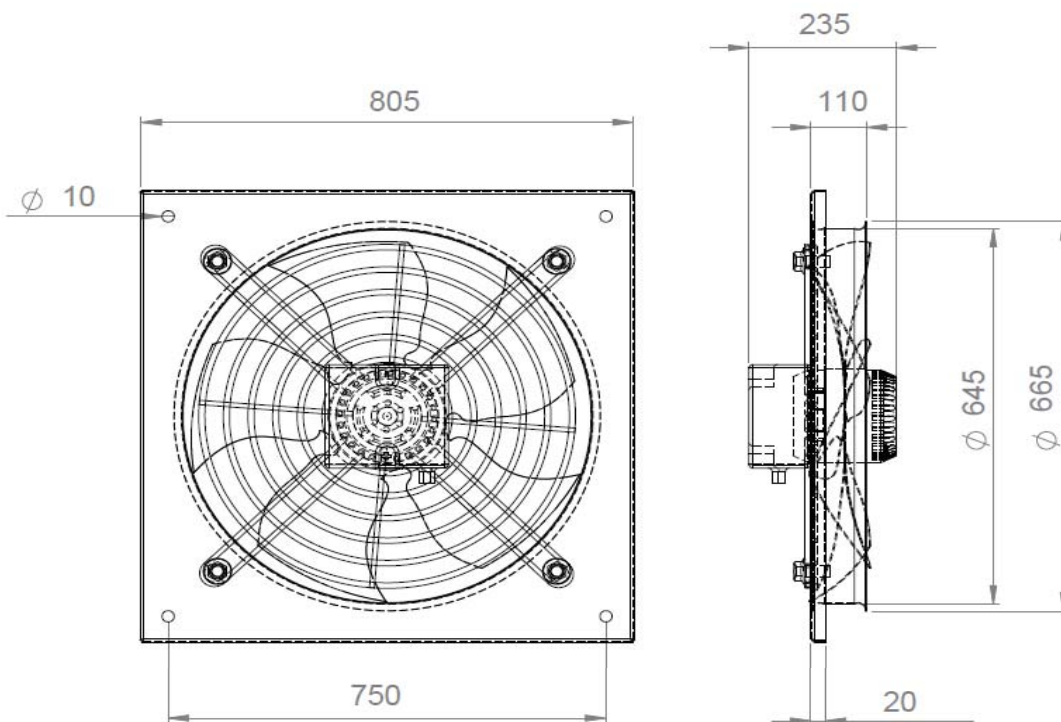
Axial wall mounted fan direct driven Plate mounted casing, galvanized steel epoxy painted
C/W external rotor motors IP 54 Class "F"



Technical Data

Model	voltage V	Frequency HZ	Current	Input Power W	Speed RPM	Capacitor	Net weight kg	Nois dB(A)	Max Airflow m ³ /h	Curev
AXW 4T-630	380	50	1.60	850	1350	/	24	74	9300	■

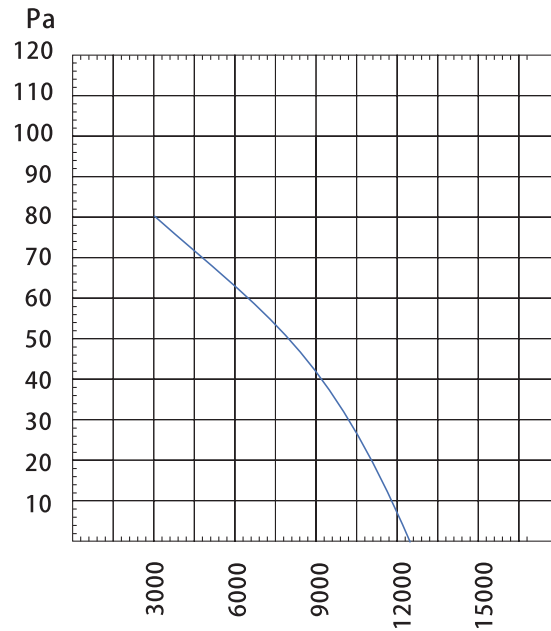
Dimensions



AXW 710



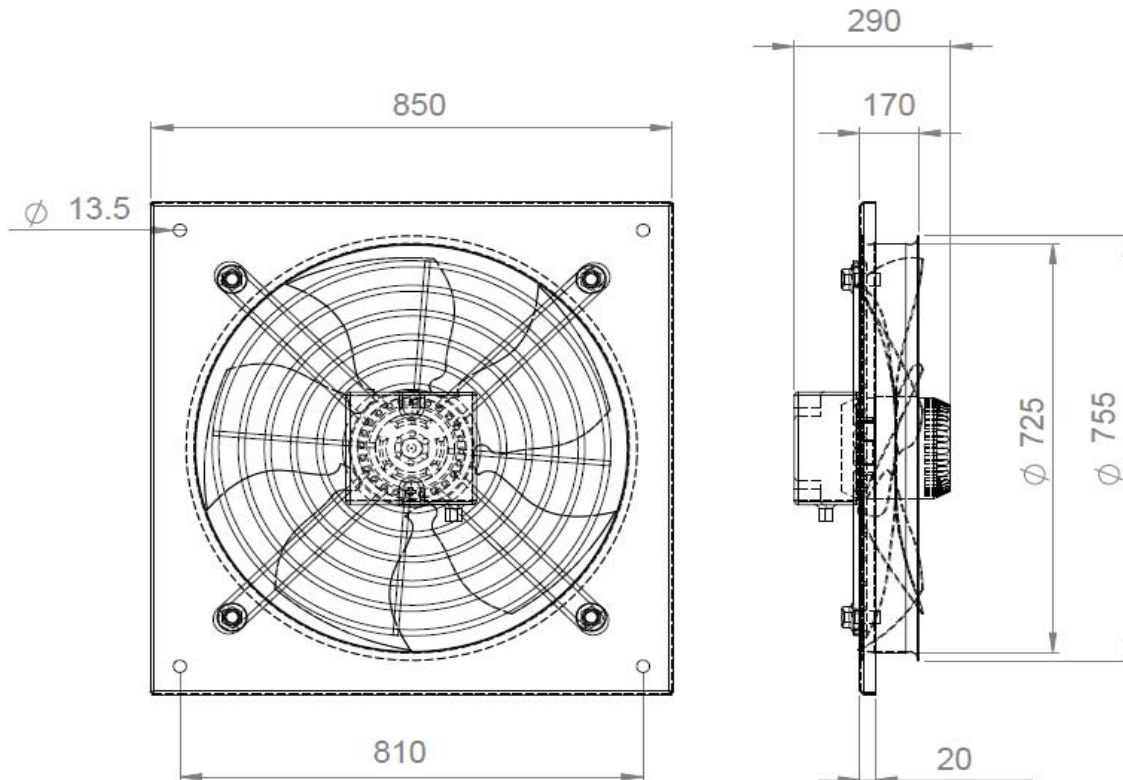
Axial wall mounted fan direct driven Plate mounted casing, galvanized steel epoxy painted
C/W external rotor motors IP 54 Class "F"



Technical Data

Model	voltage V	Frequency HZ	Current	Input Power W	Speed RPM	Capacitor	Net weight kg	Nois dB(A)	Max Airflow m3/h
AWX 6T-710	380	50	2.20	1100	900	/	35	78	12500

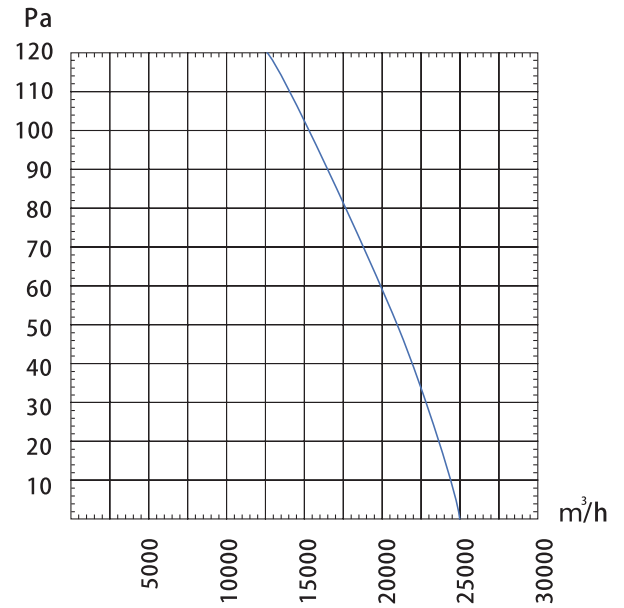
Dimensions



AXW800



Axial wall mounted fan direct driven Plate mounted casing, galvanized steel epoxy painted C/W external rotor motors IP 54 Class "F"



Technical Data

Model	voltage V	Frequency HZ	Current	Input Power W	Speed RPM	Capacitor	Net weight kg	Nois dB(A)	Max Airflow m3/h	Curev
AXW 6T -800	380	50	4.00	1850	900	/	35	68	25000	■

Dimensions

